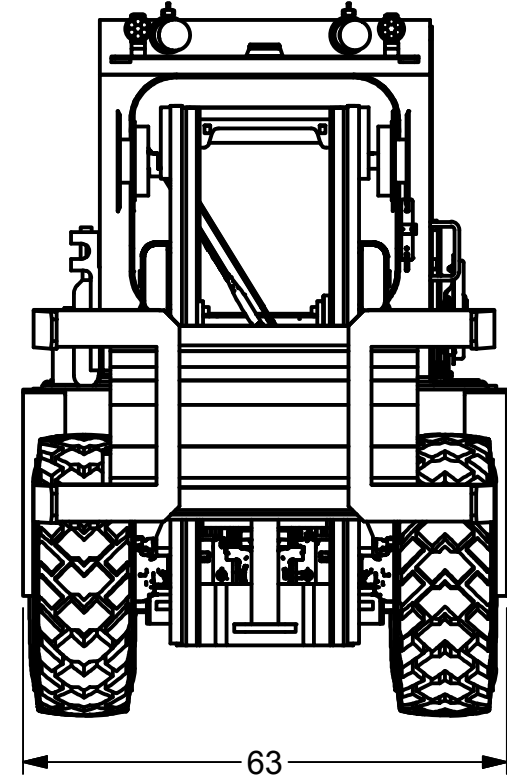
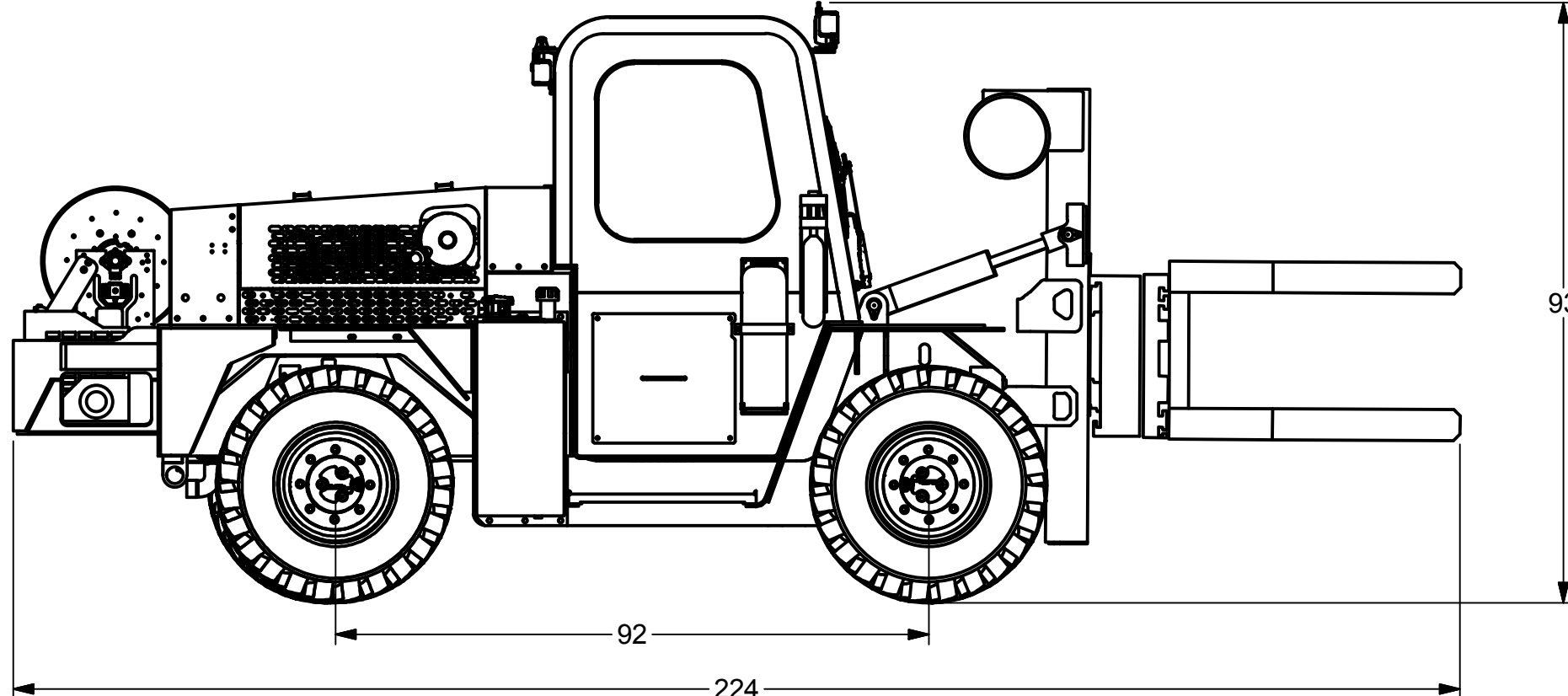
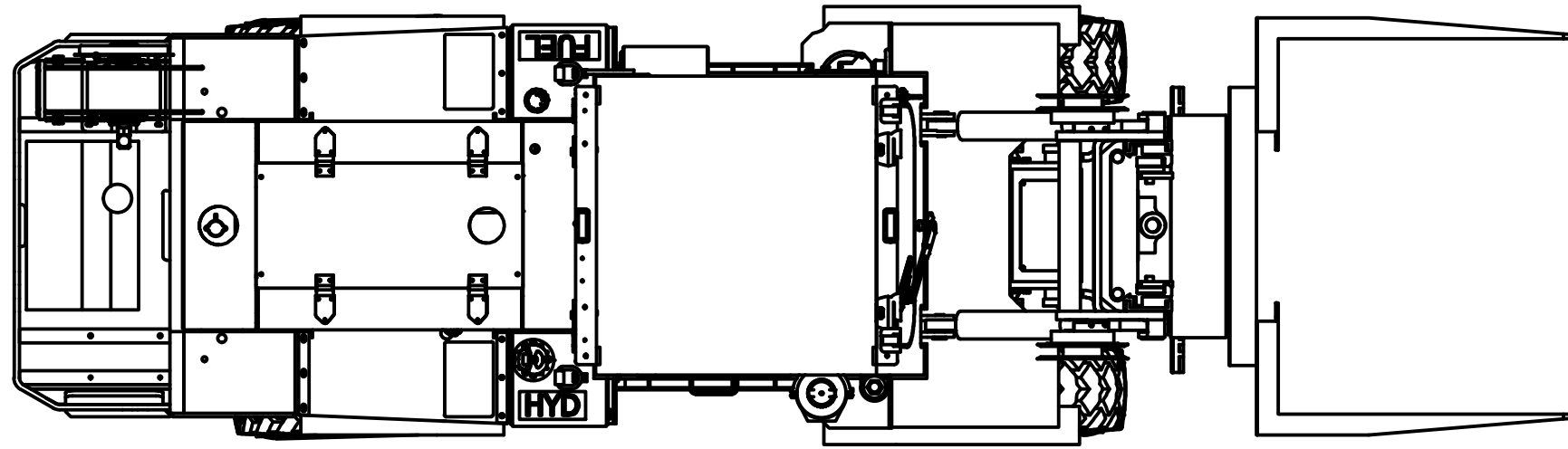


4 | 3 | 2 | 1




B

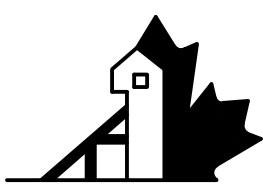
B

A

A

Dwg By: P. BERUBE
 Dsgn By: P. BERUBE
 Chk By:
 Mat:
 Date: 9/23/16 Scale: Size: B


THIRD ANGLE PROJECTION
DO NOT SCALE DRAWING
 UNLESS OTHERWISE NOTED
 TOLERANCING IS AS FOLLOWS:
 FRACTIONAL = +/- 1/16
 1 DECIMAL = +/- .030
 2 DECIMAL = +/- .010
 3 DECIMAL = +/- .005
 ANGULAR = +/- 0.5°
 BREAK ALL SHARP EDGES



Industrial Fabrication Inc.
 Sudbury, Ontario, Canada
 P: (705) 523-1621
 F: (705) 523-0565
 www.minecat.com

Title: GENERAL ARRANGEMENT, TIRE HANDLER, FL6000
 Part No.: **IF180672** Rev:

4 | 3 | 2 | 1