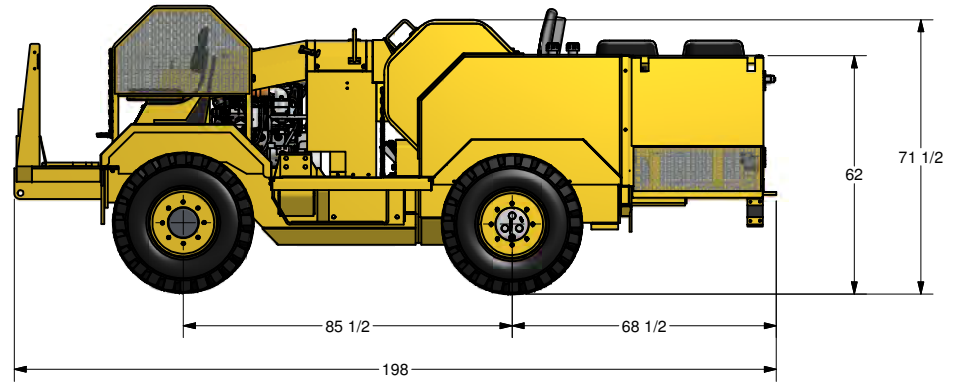
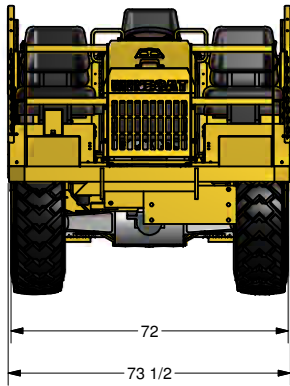


STROBE LIGHT
MOUNT LOCATION



NOTE 1: DUE TO DESIGN UPGRADES
SOME DIMENSIONS AND COMPONENTS
MAY BE SUBJECT TO MINOR CHANGES

NOTE 2: OTHER OPTIONAL ACCESSORIES
ARE AVAILABLE

SCALE:	MATERIAL:	<p>UNLESS OTHERWISE NOTED TOLERANCING IS AS FOLLOWS: FRACTIONAL = ±.176 1 DECIMAL = ±.030 2 DECIMAL = ±.010 3 DECIMAL = ±.005 BREAK ALL SHARP EDGES</p>	<p>Industrial Fabrication Inc. Sudbury, Ontario, Canada Phone: (705) 523-1621 Fax: (705) 523-0565</p>	TITLE	NV 100 NARROW 9 MAN PC		
DRAWN BY: S. STANKIEWICZ				PART #	IFID99238	REV	0
REVIEWED BY:							
CHECKED BY:							
DATE: 6/17/2011							