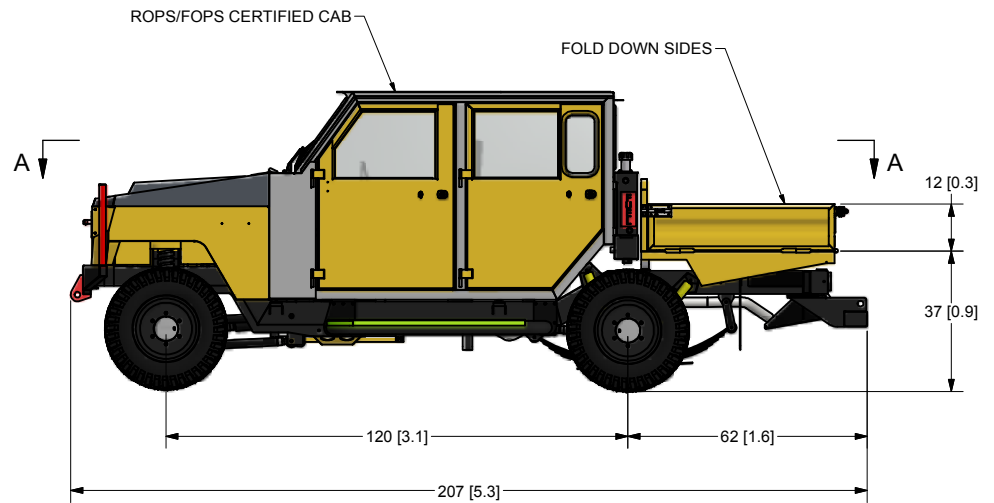
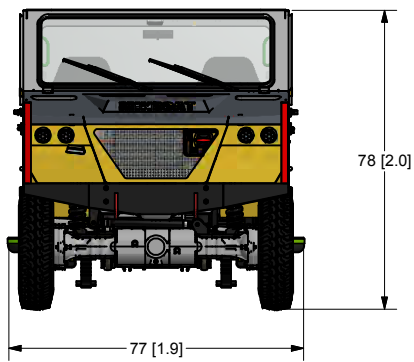


FRONT BUCKET SEATS SECTION A-A
3 POINT SEAT BELTS



**NOTE 1: DUE TO DESIGN UPGRADES
SOME DIMENSIONS AND COMPONENTS
MAY BE SUBJECT TO MINOR CHANGES.**

**NOTE 2: OTHER OPTIONAL ACCESSORIES
ARE AVAILABLE.**

SCALE: 1:25	MATERIAL:
DRAWN BY: T. VIEN	<small>UNLESS OTHERWISE NOTED TOLERANCING IS AS FOLLOWS: FRACTIONAL = ±. 1/16 1 DECIMAL = ±. 020 2 DECIMAL = ±. 010 3 DECIMAL = ±. 005 BREAK ALL SHARP EDGES</small>
REVIEWED BY:	
CHECKED BY:	
DATE: 1/8/2015	



**Industrial
Fabrication Inc.**
Sudbury, Ontario, Canada
Phone: (705) 523-1621
Fax: (705) 523-0565

TITLE MINECAT UT-99D CREW CAB FLAT DECK FOLD DOWN SIDES	PART # IFIX10081	REV